

● SOLAR COMBINER BOX



● GENERAL CHARACTERISTICS

Dimensions (L / W / H)	470mm / 460mm / 180mm
Weight	12.8 kg

● SPECIFICATIONS

Input String Number	Output String Number	Max Voltage	Max Output Current(per string)
8 Strings	4 Strings	400V	32A

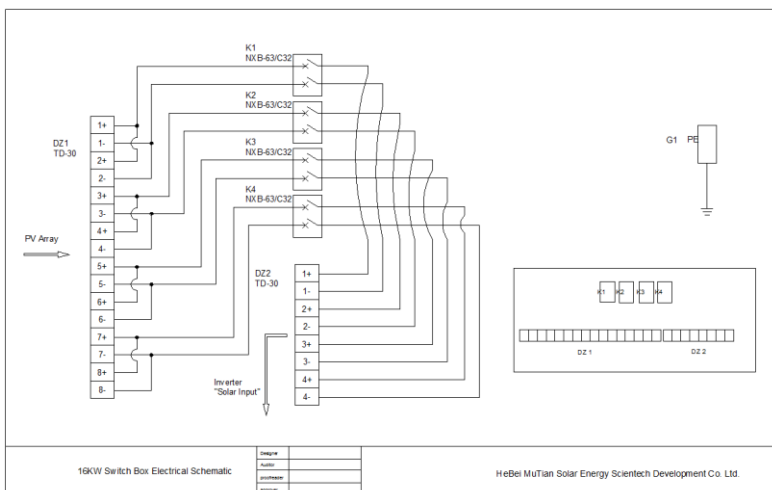
● APPLICATION

This enclosures combine the multiple power inputs from solar panels into a fewer output. Intended for use in solar photovoltaic applications.

● FEATURES

- Maximum for 400 VDC continuous duty.
- ACB (Air Circuit Breaker) rated to 32 Amps maximum.
- Input wire: 8 strings.
- Output wire: 4 strings.
- Operating temperature range: -40 C to +55 C

● DIAGRAM



Mutian Solar Sciencetech Company Ltd.

1699 North Road, Baoding City, China

Tel: +86-312-3917317

Fax: +86-312-3917315

Email: sales@solarmt.com

www.solarmt.com

Document Number 0170HO0101