

15KW Off Grid Solar Power System

We Believe In The Promise of The Sun



Power your home as follows:

Inductive load $\leq 4KW$ Resistive load $\leq 20KW$

	<p>Light 30W \times 20pcs About 130 hours</p>		<p>TV 100W\times4pcs About 200 hours</p>		<p>Refrigerator 1KWh/day About 80 days</p>
	<p>Fan 100W \times 8pcs About 100 hours</p>		<p>Pump 1KW About 80 hours</p>		<p>Air Conditioner\times4 10KWh/day About 2 days</p>
	<p>Computer 100W \times 4 About 200 hours</p>		<p>Cooker 2000W About 40hours</p>		<p>Induction Cooker 2KW About 40 hours</p>

Mutian Solar Energy Sciencetech Company

No. 5699, North Second Ring Road, Baoding, China | www.solarmt.com

Tel: +86-312-3917316 | Fax: +86-312-3917315 | Skype: mutiansolar | Email: sales@solarmt.com

Configuration Specification



No.	Item	Parameter	Quantity
1	Solar Panel	250WP	80pcs
2	Solar Generator	20KW	1 pc
3	GEL Battery	200AH/12V	32pcs
4	PV Bracket	20KW	1 set
5	Battery Cabinet	Matched	1pcs
6	Cable	4/6/10mm ²	1 set
7	Combiner Box	4in/2out	1 set

Easy Installation



Fix PV Racks



String Solar Panel



Connect Battery



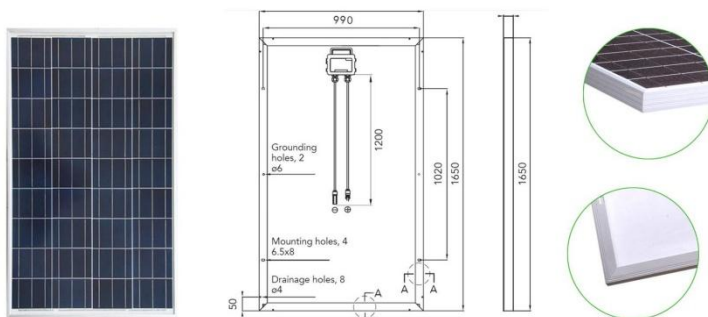
Enjoy
Your Life



Join Inverter

Solar Panel

High efficiency, polycrystalline solar cells with high transmission and textured glass deliver a module efficiency of up to 15.0%, lifespan is 25 years.



Solar Power Generator

Solar generator integrates controller and inverter in one host. With grid input function, it can automatically switches to grid power when battery under-voltage. Besides, it can be remote monitored via Wifi interface. It has protection functions of short circuit, over voltage, over load, over current and reversed polarity, etc. Lifespan can reach 10-15 years.



GEL Battery

PV system special Gel battery adopts thick plate and polymer diaphragm design, which greatly improves the cycle lifespan. With features of small self-discharge, long lifetime and high temperature resistance, Gel battery lifespan can reach 5-8 years.



10KW-50KW Solar Power System Parameter

Model(KW)		10	15	20	30	40	50
Solar panel	Type	Polycrystalline silicon A-level					
	Power(KWp)	10	15	20	30	40	50
	Solar Module	250Wp	250Wp	250Wp	250Wp	250Wp	250Wp
	Qty.(pcs)	40	60	80	120	160	200
	Power/day(KWh)	40	60	80	120	160	200
Solar controller	Control mode	PWM					
	Capacity	192V/60A	384V/40A	384V/60A	384V/80A	384V/120A	384V/150A
	Protection	Overcharge/Positive & Negative reverse/Reverse charging/Lightning					
	Stop charging	220V	440V	440V	440V	440V	440V
	Recovery charge	210V	420V	420V	420V	420V	420V
Inverter	Output Power(KVA)	10	15	20	30	40	50
	Inverter type	Low frequency or High frequency pure sine wave					
	Output voltage	220V/380V \pm 5%					
	Frequency	50Hz/60Hz \pm 1%					
	Waveform	(Pure sine wave) THD<2%					
	Phase	Three Phase					
	Working efficiency	>85%					
	Working model	Solar power first, if battery low switch to city power					
	Switching time	City power to Inverter 8ms;Inverter to City power 6ms					
Protection	DC under voltage/overload/short circuit/peak surge.						
Battery	Battery type	Deep cycle maintenance-free lead-acid battery					
	Capacity(AH/12V)	200	150	200	150	200	250
	Qty.(pcs)	16	32	32	64	64	64
Cable	4 mm ²	120m	180m	240m	360m	500m	600m
	6 mm ²	120m	/	160m	/	120m	120m
	10mm ²	24m	110m	50m	200m	180m	230m
	16mm ²	/	/	6	60m	60m	60m
Remote monitoring	/	√	√	√	√	√	√
cabinet	√	√	√	√	√	√	√
Combiner box	/	√	√	√	√	√	√
bracket	√	√	√	√	√	√	√