

We Believe In The Promise of The Sun



Power your home as follows:

Inductive load $\leq 1KW$ Resistive load $\leq 5KW$



Light 30W
About 670 hours



TV 100W
About 200 hours



Refrigerator
1KWh/day
About 20 days



Fan 100W
About 200 hours



Pump 500W
About 40 hours



Air Conditioner
5KWh/day
About 4 days



Computer 100W
About 200 hours



Cooker 1000W
About 20hours



Induction Cooker
1KW
About 10-20 hours

Configuration Specification



No.	Item	Parameter	Quantity
1	Solar Panel	250WP	24pcs
2	Solar Generator	6KW	1 pc
3	GEL Battery	200AH/12V	8pcs
4	PV Bracket	6KW	1 set
5	Battery Cabinet	1600V	1pcs
6	Cable	4/6/16mm ²	1 set
7	Combiner Box	4in/2out	1 set

Easy Installation



Fix PV Racks



String Solar Panel



Connect Battery



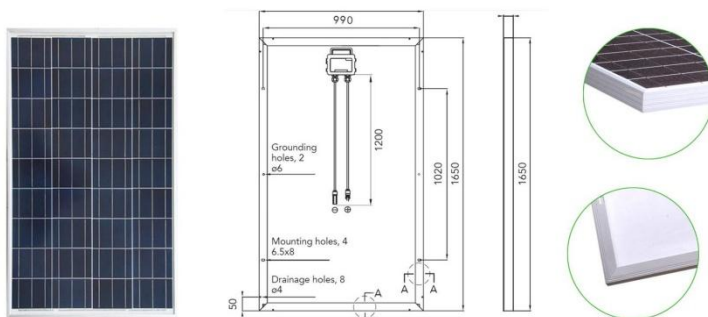
Enjoy
Your Life



Join Inverter

Solar Panel

High efficiency, polycrystalline solar cells with high transmission and textured glass deliver a module efficiency of up to 15.0%, lifespan is 25 years.



Solar Power Generator

Solar generator integrates controller and inverter in one host. With grid input function, it can automatically switches to grid power when battery under-voltage. Besides, it can be remote monitored via Wifi interface. It has protection functions of short circuit, over voltage, over load, over current and reversed polarity, etc. Lifespan can reach 10-15 years.



GEL Battery

PV system special Gel battery adopts thick plate and polymer diaphragm design, which greatly improves the cycle lifespan. With features of small self-discharge, long lifetime and high temperature resistance, Gel battery lifespan can reach 5-8 years.



1KW-6KW Solar Power System Parameter

Model(W)		1000	2000	3000	4000	5000	6000
Solar panel	Type	Polycrystalline silicon A-level					
	Power(Wp)	1000	2000	3000	4000	5000	6000
	Solar Module	250Wp	250Wp	250Wp	250Wp	250Wp	250Wp
	Qty.(pcs)	4	8	12	16	20	24
	Power/day(KWh)	4	8	12	16	20	24
Solar controller	Control mode	PWM					
	Capacity	24V/40A	48V/40A	48V/80A	96V/60A	96V/60A	96V/70A
	Protection	Overcharge/Positive & Negative reverse/Reverse charging/Lightning					
	Stop charging	27.4V	54.8V	54.8V	115V	115V	115V
	Recovery charge	26.3V	52.6V	52.6V	105V	105V	105V
Inverter	Output Power(W)	1000	2000	3000	4000	5000	6000
	Inverter type	Low frequency or High frequency pure sine wave					
	Output voltage	110V/127V/220V±5%					
	Frequency	50Hz/60Hz±1%					
	Waveform	(Pure sine wave) THD<2%					
	Phase	single phase/ Three Phase Optional					
	Working efficiency	>85%					
	Working model	Solar power first, if battery low switch to city power					
	Switching time	City power to Inverter 8ms;Inverter to City power 6ms					
Protection	DC under voltage/overload/short circuit/peak surge.						
Battery	Battery type	Deep cycle maintenance-free lead-acid battery					
	Capacity(AH/12V)	150	150	250	150	200	200
	Qty.(pcs)	2	4	4	8	8	8
Cable	2.5 mm ²	12m	24m	36m	48m	/	72m
	4mm ²	/	/	/	120m	60m	/
	6 mm ²	/	/	100m	/	120m	120m
	10mm ²	40m	46m	/	12m	12m	/
	16mm ²	/	/	6	/	/	12m
Remote monitoring	/	√	√	√	√	√	√
cabinet	√	√	√	√	√	√	√
Combiner box	/	√	√	√	√	√	√
bracket	√	√	√	√	√	√	√